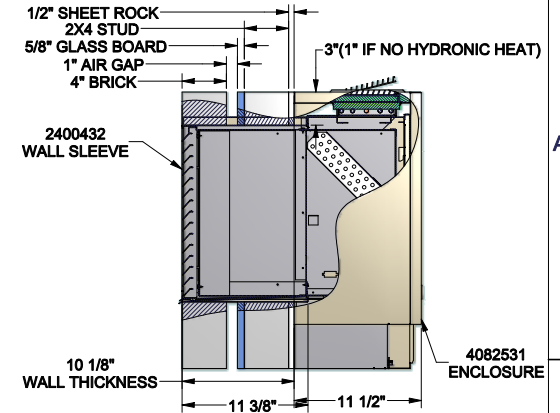
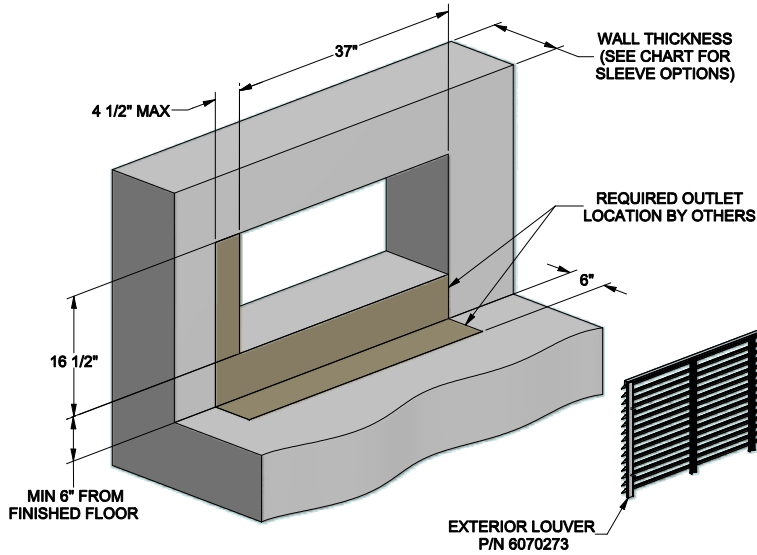
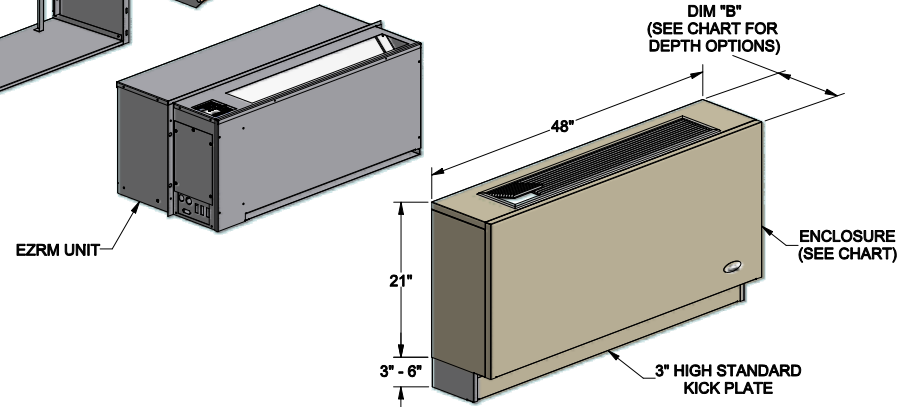
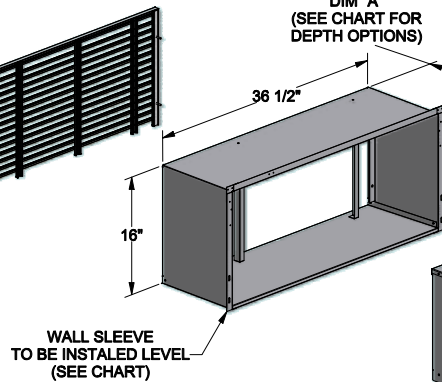
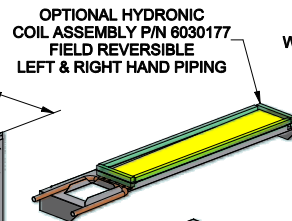


RECOMMENDED WALL OPENING



***EXAMPLE**



WALL SLEEVE / ROOM ENCLOSURE SELECTION CHART				
WALL THICKNESS	SLEEVE P/N	DIM "A" SLEEVE DEPTH	ENCL. P/N	DIM "B" ENCL. DEPTH
5 to 5 3/4	2400432	11 3/8	4082536	16 1/2
6 to 6 3/4	2400432	11 3/8	4082535	15 1/2
7 to 7 3/4	2400432	11 3/8	4082534	14 1/2
8 to 8 3/4	2400432	11 3/8	4082533	13 1/2
9 to 9 3/4	2400432	11 3/8	4082532	12 1/2
10 to 10 3/4	2400432	11 3/8	4082531	11 1/2
11 to 11 3/4	2400411	12 3/8	4082530	10 1/2
12 to 12 3/4	2400412	13 3/8	4082530	10 1/2
13 to 13 3/4	2400413	14 3/8	4082530	10 1/2
14 to 14 3/4	2400414	15 3/8	4082530	10 1/2
15 to 15 3/4	2400415	16 3/8	4082530	10 1/2
16 to 16 3/4	2400416	17 3/8	4082530	10 1/2
17 to 17 3/4	2400417	18 3/8	4082530	10 1/2
18 to 18 3/4	2400418	19 3/8	4082530	10 1/2
19 to 19 3/4	2400419	20 3/8	4082530	10 1/2
20 to 20 3/4	2400420	21 3/8	4082530	10 1/2

PATH: F:\Engg\Designs\RM\Assemblies\EZRMSUBMIT.iam

UNLESS OTHERWISE NOTED:
 ALL DIMENSIONS ARE OUTSIDE
 ALL DIMENSIONS ARE IN INCHES
 TOLERANCES: (NON-ACCUM.)
 XXX..... ± .010
 C/C..... ± .005
 ANGLES..... ± 1 Deg

Islandaire 22 Research Way
 East Setauket, NY 11733
 Ph: 631.471.2900
 Fx: 631.471.2915

PART NAME: **EZRM SUBMITTAL DATA, MASONRY**

MATERIAL: _____ SHEET: **1 OF 1**

DRW: **BOB B** CHK: _____ APP: **JWD** SIZE: **B** DWG NO: _____ REV: _____
 DATE: **09/19/08** DATE: _____ DATE: _____ DATE: _____
EZRMSUBMIT -